

CLASS C250 (NON-TRAFFICKED AREAS) OR CLASS D400 (TRAFFICKED AREAS) TO IS/EN 124 MANHOLE COVER & FRAME BEDDED AND HAUNCHED IN MORTAR TO MANUFACTURERS SPECIFICATION

200MM C30/20 ROOF SLAB 40MM COVER TO STEEL

BENCHING TO HALF PIPE LEVEL USING MASS C20/20 CONCRETE. FINISH BENCHING IN 2:1 SAND MORTAR FINISH WITH SMOOTH TROWEL FINISH.

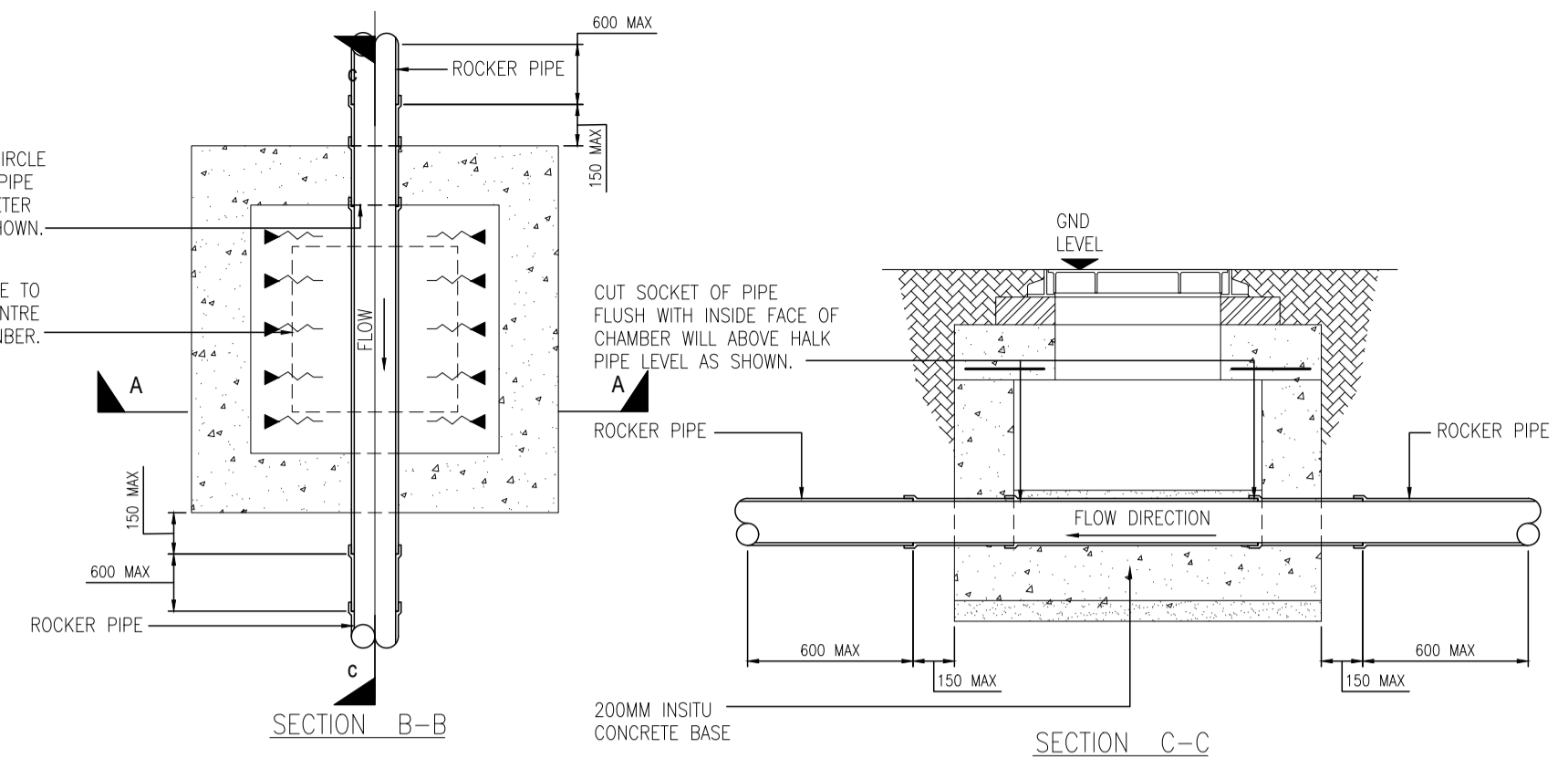
75MM MIN. CONC BINDING ON SOUND BEARING.

200MM INSITU CONCRETE BASE

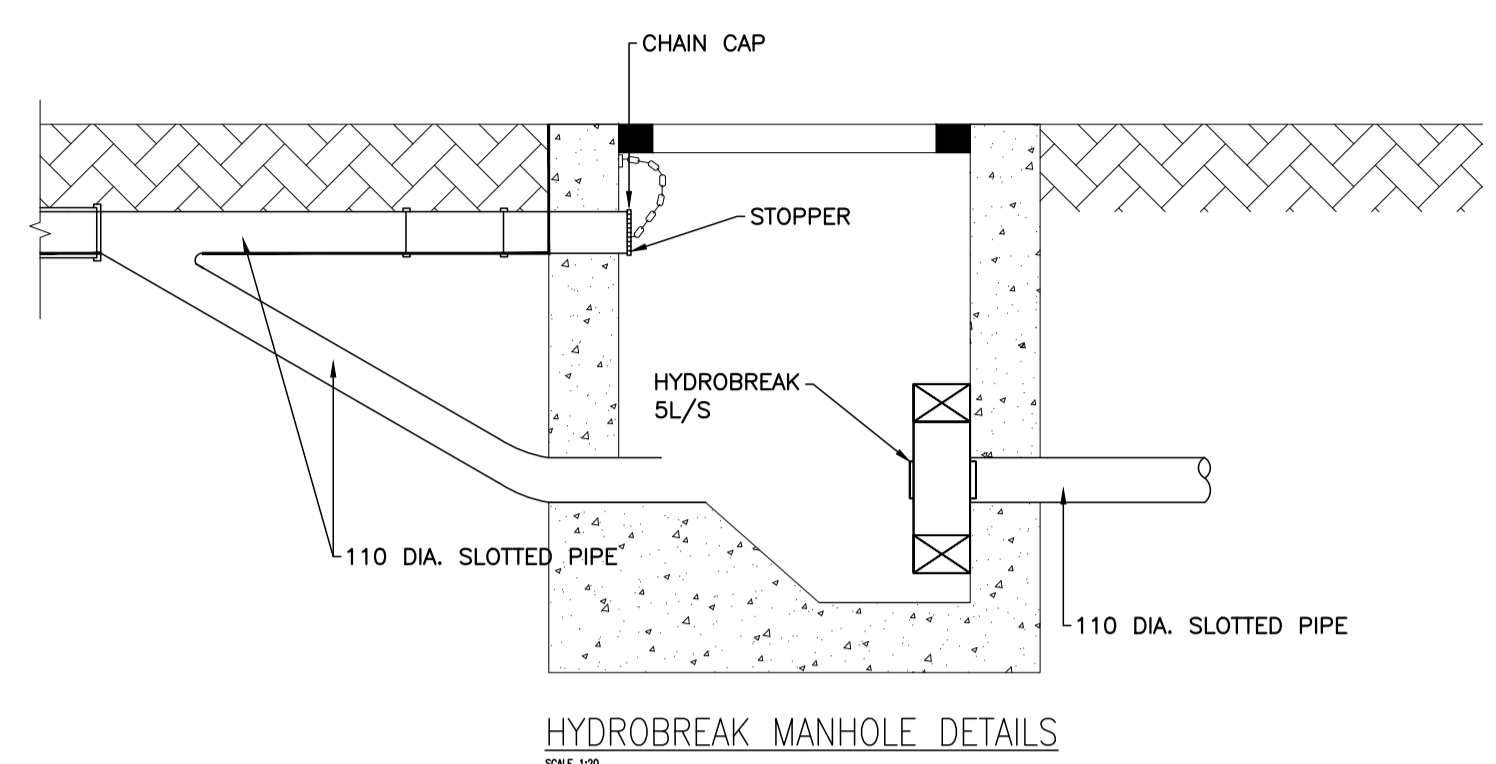
1 TO 3 COURSES OF ENGINEERING BRICK LAD ON FLAT & SET IN 1:3 CEMENT SAND MORTAR.

FINISH BENCHING IN 2:1 SAND MORTAR FINISH WITH SMOOTH TROWEL FINISH.

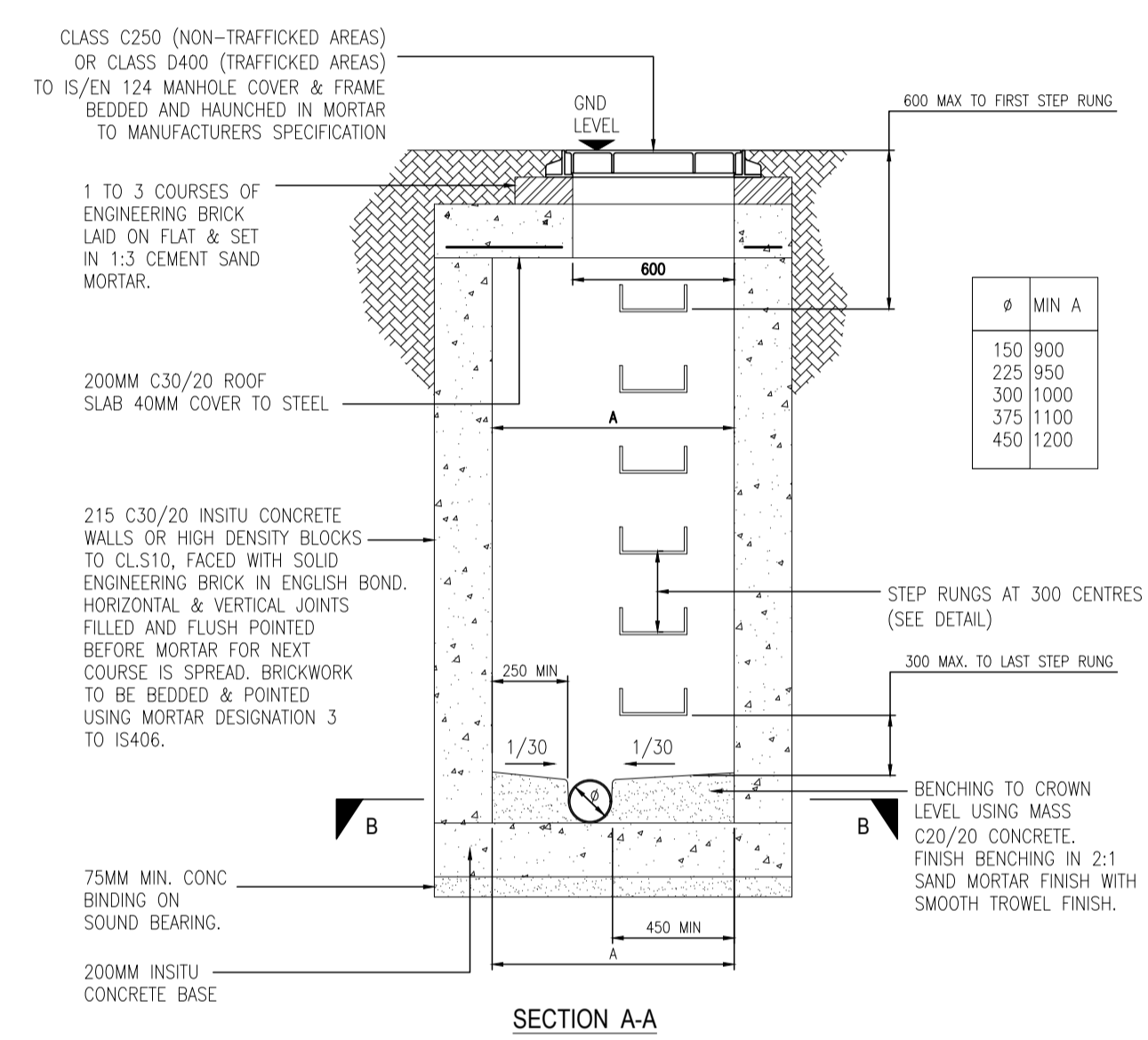
215 C30/20 INSITU CONCRETE WALLS OR HIGH DENSITY BLOCKS TO CLS10, FACED WITH SOLID ENGINEERING BRICK IN ENGLISH BOND. HORIZONTAL & VERTICAL JOINTS FILLED AND FLUSH POINTED BEFORE MORTAR FOR NEXT COURSE IS SPREAD. BRICKWORK TO BE BEDDED & POINTED USING MORTAR DESIGNATION 3 TO IS406.



MANHOLE TYPE 1  
DEPTH LESS THAN 1.0m ("MH1")  
SCALE 1:5



HYDROBREAK MANHOLE DETAILS  
SCALE 1:5



CLASS C250 (NON-TRAFFICKED AREAS) OR CLASS D400 (TRAFFICKED AREAS) TO IS/EN 124 MANHOLE COVER & FRAME BEDDED AND HAUNCHED IN MORTAR TO MANUFACTURERS SPECIFICATION

200MM C30/20 ROOF SLAB 40MM COVER TO STEEL

215 C30/20 INSITU CONCRETE WALLS OR HIGH DENSITY BLOCKS TO CLS10, FACED WITH SOLID ENGINEERING BRICK IN ENGLISH BOND. HORIZONTAL & VERTICAL JOINTS FILLED AND FLUSH POINTED BEFORE MORTAR FOR NEXT COURSE IS SPREAD. BRICKWORK TO BE BEDDED & POINTED USING MORTAR DESIGNATION 3 TO IS406.

75MM MIN. CONC BINDING ON SOUND BEARING.

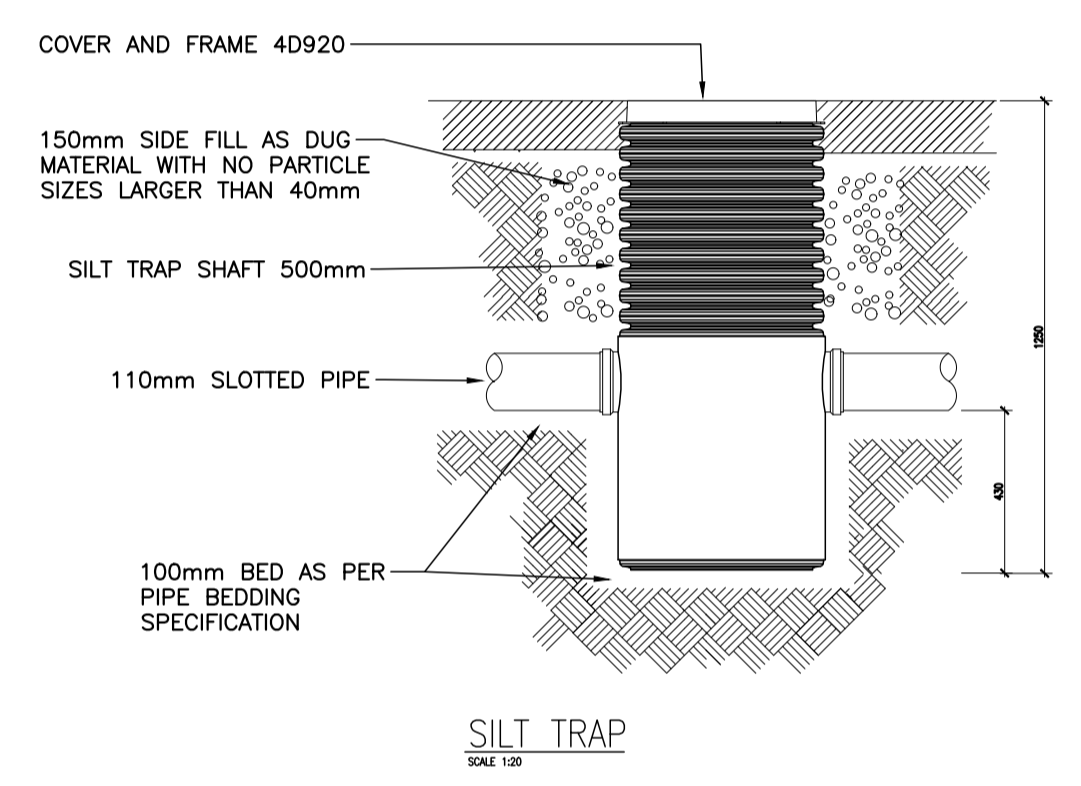
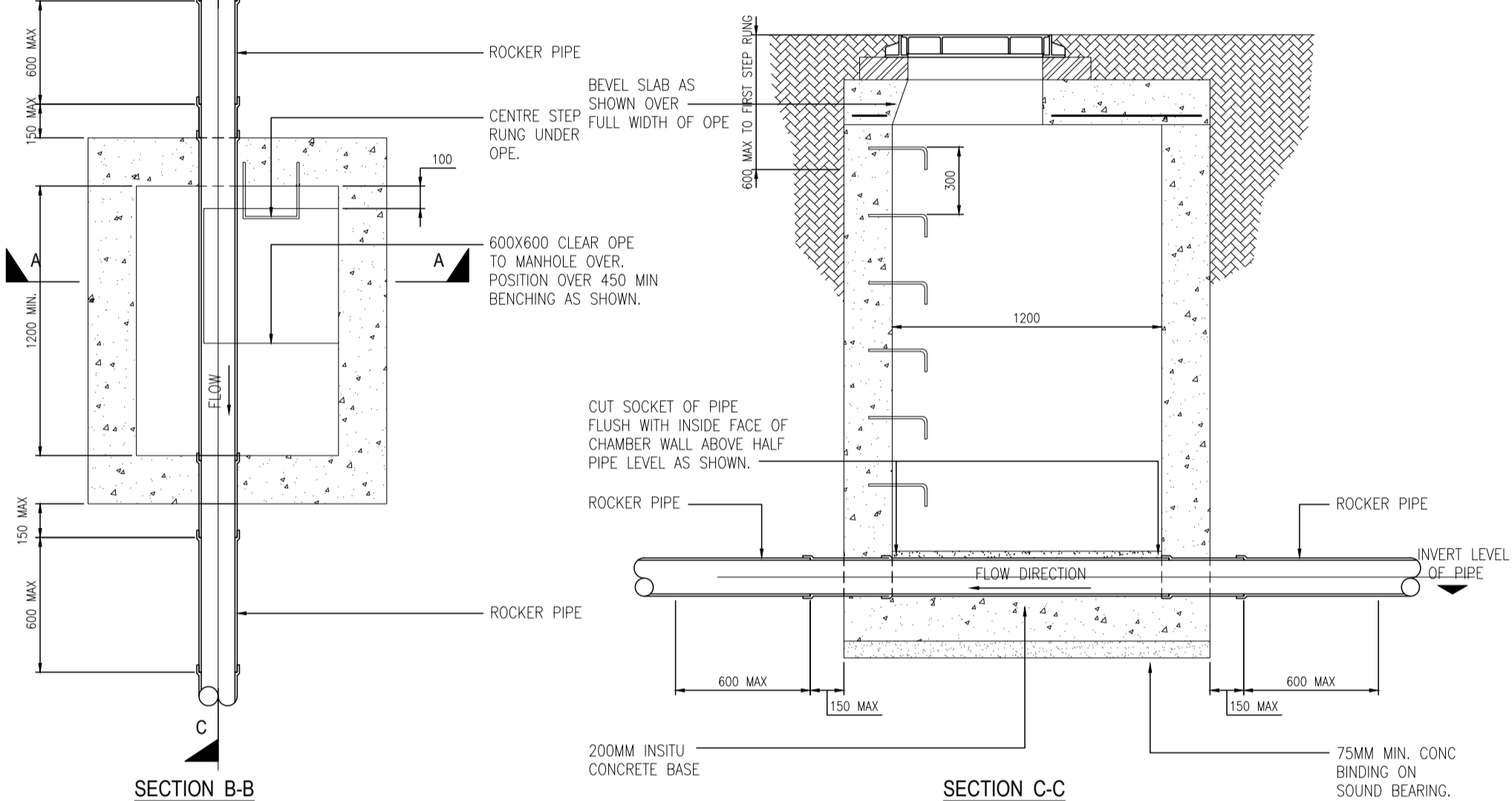
200MM INSITU CONCRETE BASE

1 TO 3 COURSES OF ENGINEERING BRICK LAD ON FLAT & SET IN 1:3 CEMENT SAND MORTAR.

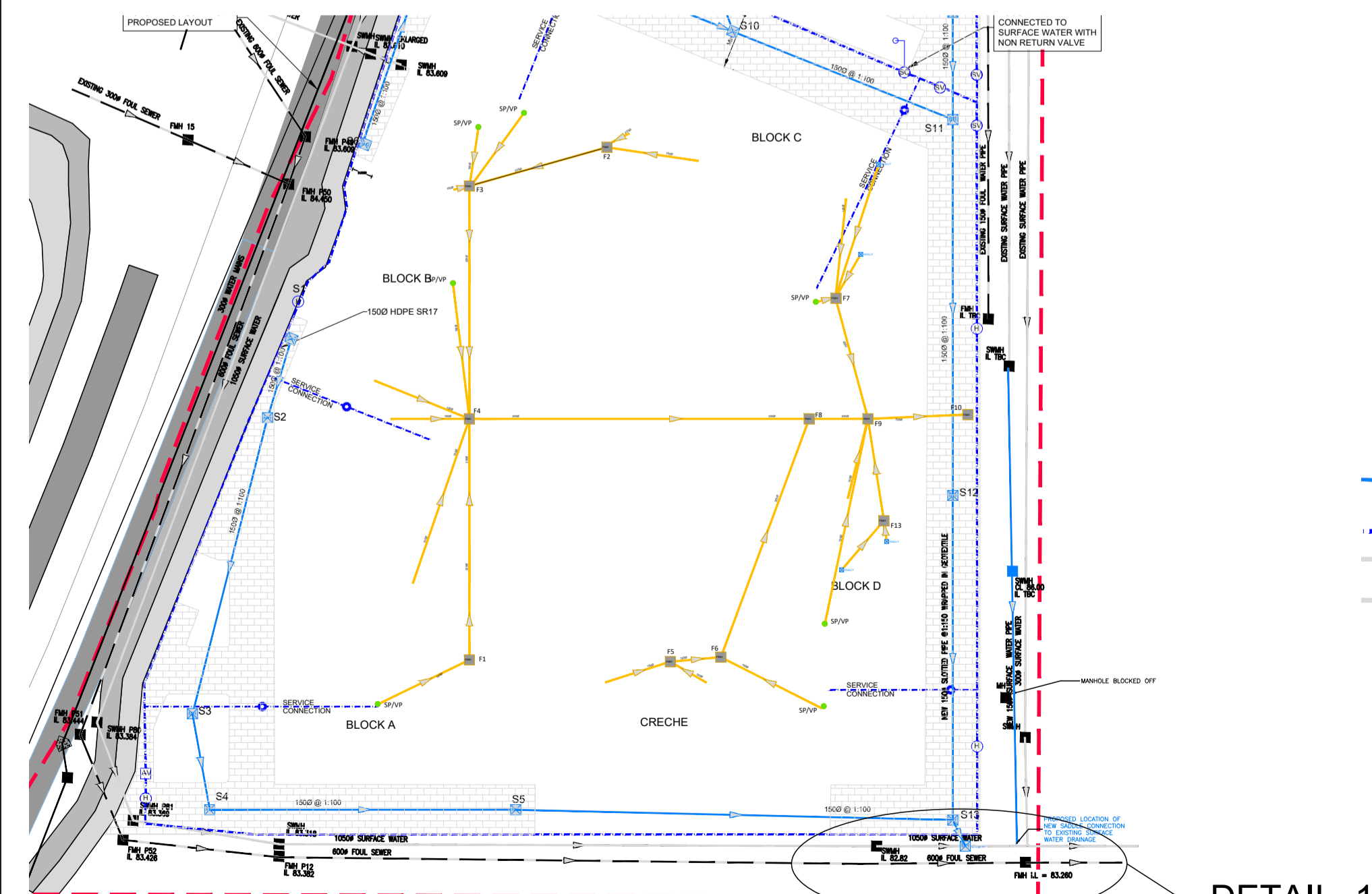
FINISH BENCHING IN 2:1 SAND MORTAR FINISH WITH SMOOTH TROWEL FINISH.

215 C30/20 INSITU CONCRETE WALLS OR HIGH DENSITY BLOCKS TO CLS10, FACED WITH SOLID ENGINEERING BRICK IN ENGLISH BOND. HORIZONTAL & VERTICAL JOINTS FILLED AND FLUSH POINTED BEFORE MORTAR FOR NEXT COURSE IS SPREAD. BRICKWORK TO BE BEDDED & POINTED USING MORTAR DESIGNATION 3 TO IS406.

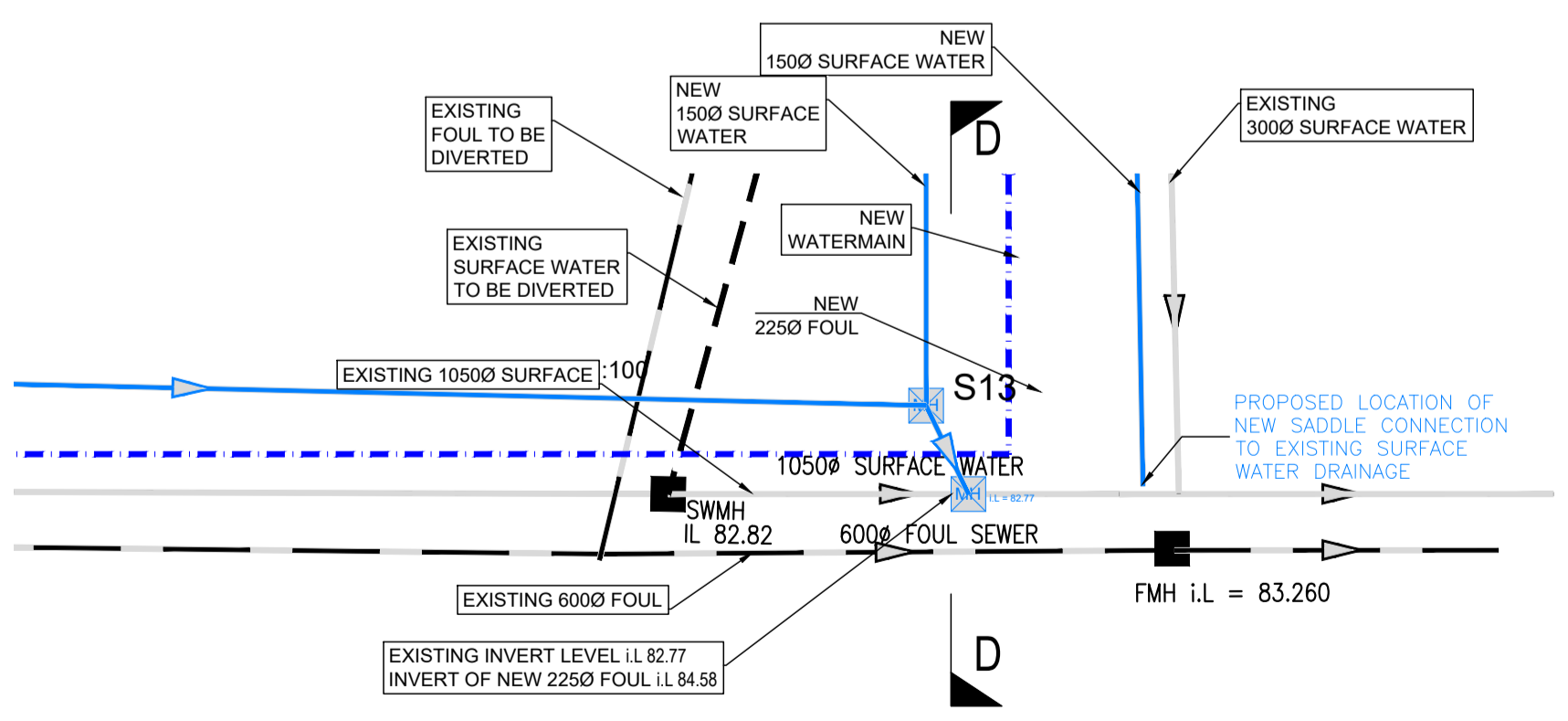
MANHOLE TYPE 2  
DEPTH GREATER THAN 1m & LESS THAN 3m ("MH2")  
SCALE 1:25



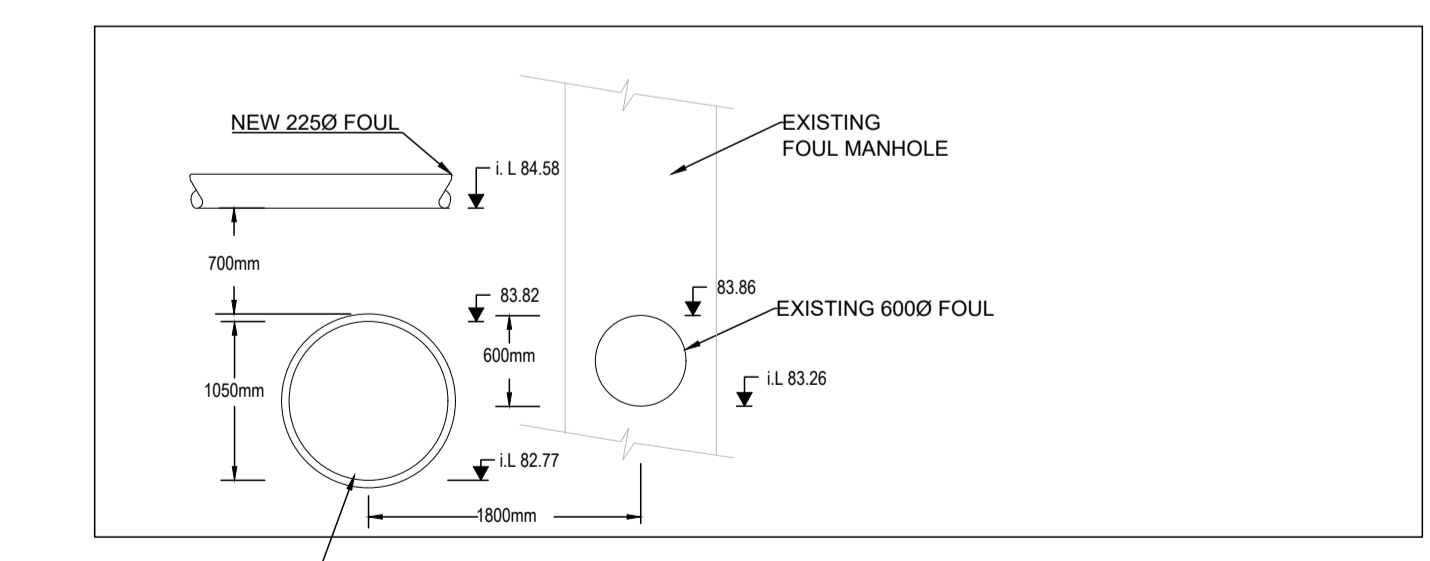
SILT TRAP  
SCALE 1:5



PLAN  
SCALE NTS



DETAIL 1  
WHERE NEW 2250 FOUL CROSSES  
EXISTING 10500 SURFACE WATER DRAIN.  
SCALE 1:20



SECTION D-D  
SCALE 1:10

- GENERAL NOTES:
1. THIS DRAWING IS TO BE READ IN CONJUNCTION WITH ALL RELEVANT ARCHITECTS & ENGINEERS DRAWINGS, SPECIFICATIONS, ETC..
  2. DO NOT SCALE, USE FIGURED DIMENSIONS ONLY (WHERE APPLICABLE)
  3. ANY DISCREPANCIES / DEVIATIONS ENCOUNTERED TO BE REPORTED TO THE ENGINEER IMMEDIATELY (IN WRITING).
  4. FOR ALL SETTING OUT DIMENSIONS REFER TO ARCHITECTS DRAWINGS.

\*\*\* DO NOT SCALE USE FIGURED DIMENSIONS ONLY \*\*\*

P2	PF	DETAIL 1 & SECTION DD ADDED	26-04-2022
REV:	BY:	AMENDMENTS:	DATE:

DRAWN BY:	PM	TECH. CHECK:	PM
SCALE:	AS SHOWN	SIZE:	A1
DATE:	08/01/2021	APPROVED:	AF

DRAWING STATUS:  
**FOR PLANNING**

CLIENT:	GEENHILLS LIVING C/O BELVEDERE LIVING LTD
JOB TITLE:	BANCROFT VIEW SHD
DRAWING TITLE:	DRAINAGE DETAIL SHEET 01

JOB No:	DRAWING No:	REV:
20_4993	606	P2