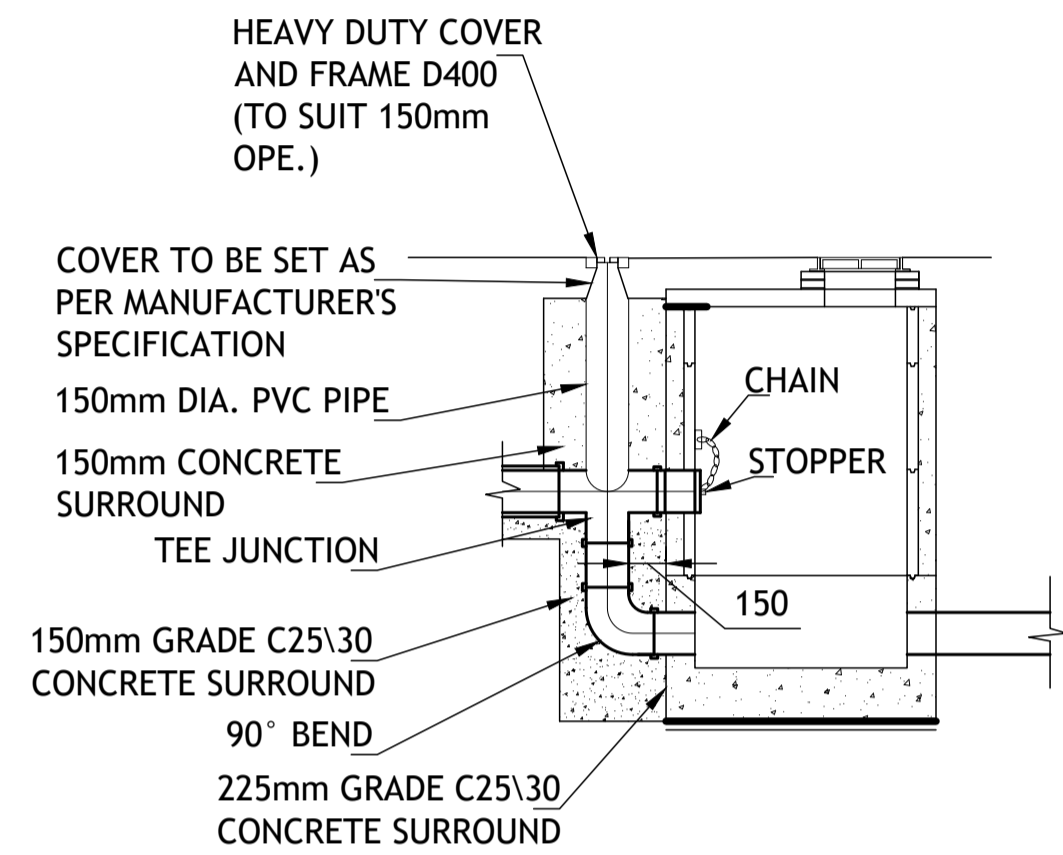
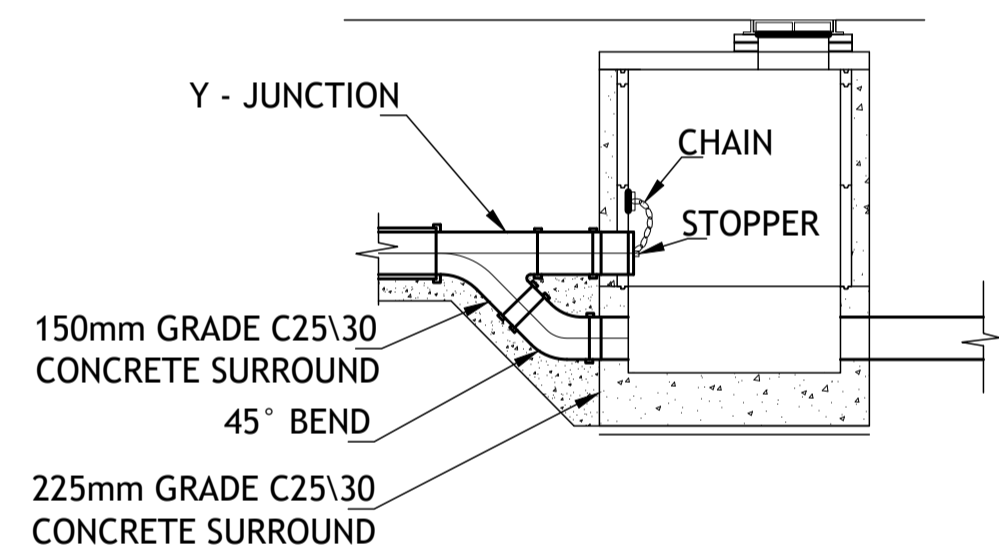


**TYPE No. 1**  
 150mm - 450mm DIA. (INCL.) DROP GREATER THAN 1700mm  
 500mm - 900mm DIA. (INCL.) DROP GREATER THAN 2300mm



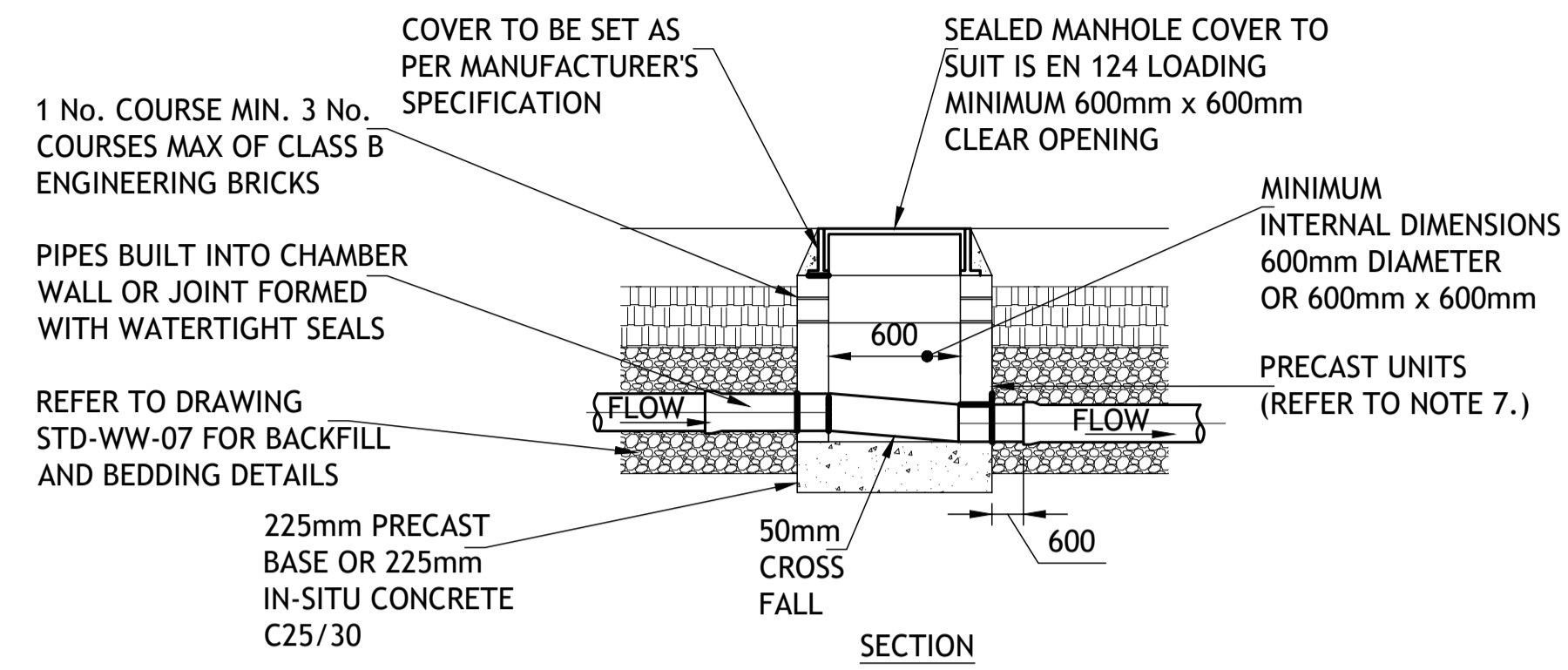
**TYPE No. 2**  
 150mm - 450mm DIA. (INCL.) DROP GREATER THAN 900 AND LESS THAN 1700mm  
 500mm - 900mm DIA. (INCL.) DROP GREATER THAN 1300mm AND LESS THAN 2300mm



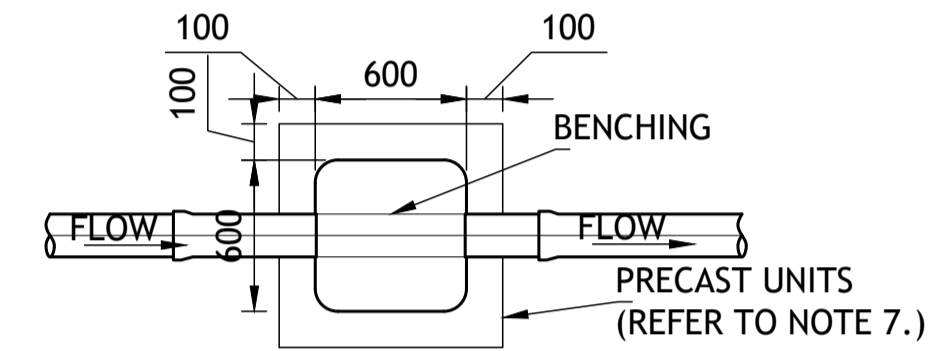
**TYPE No. 3**  
 150mm - 450mm DIA. (INCL.) DROP GREATER THAN 600mm AND LESS THAN 900mm  
 500mm - 900mm DIA. (INCL.) DROP GREATER THAN 600mm AND LESS THAN 1300mm

## BACKDROP MANHOLES

NTS

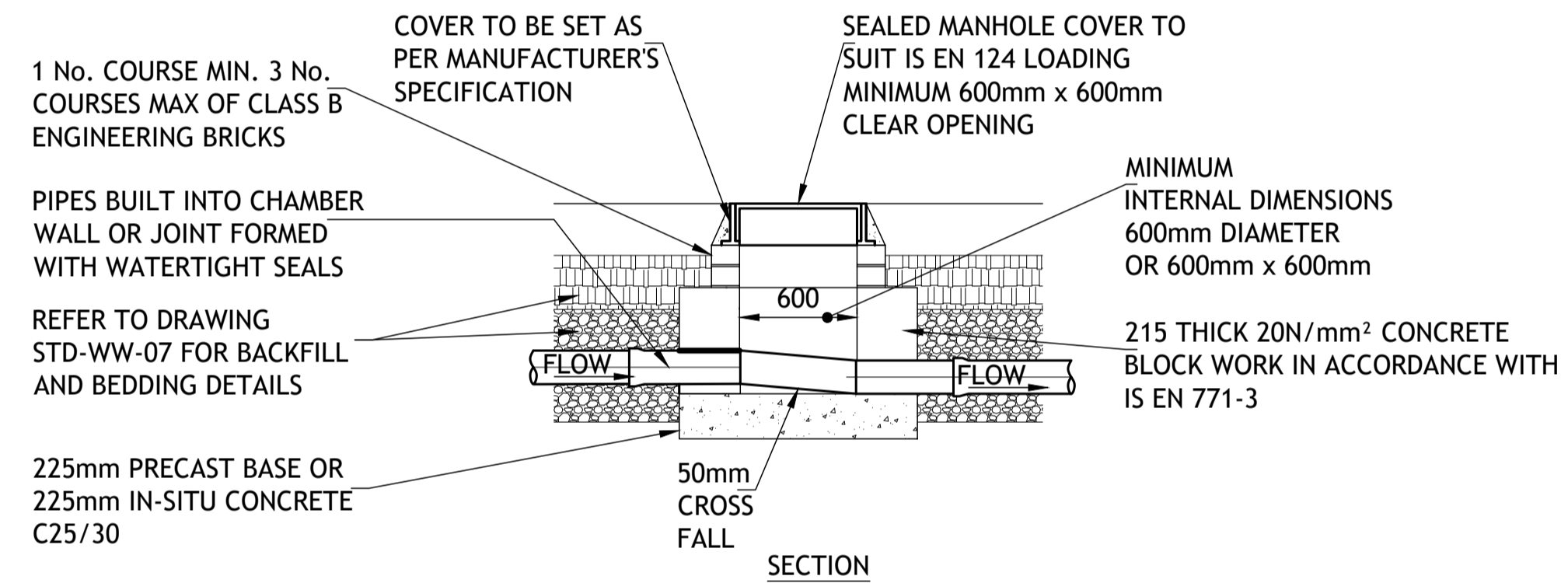


SECTION

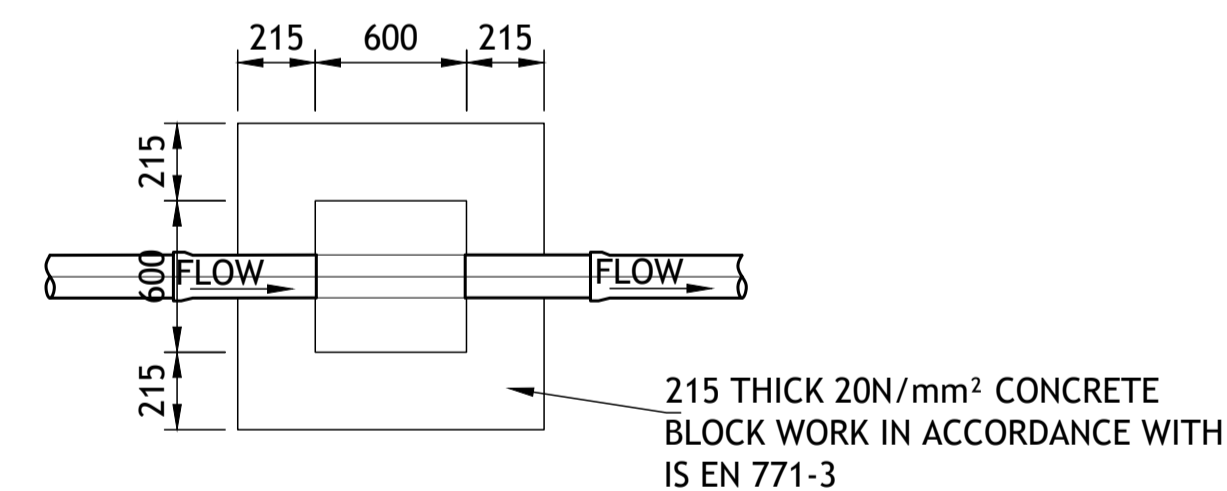


FLOOR PLAN

INSPECTION CHAMBER  
(PRECAST CONCRETE CONSTRUCTION)



SECTION



FLOOR PLAN

INSPECTION CHAMBER  
(BLOCK WORK CONSTRUCTION)

### GENERAL NOTES:

1. THIS DRAWING IS TO BE READ IN CONJUNCTION WITH ALL RELEVANT ARCHITECTS & ENGINEERS DRAWINGS, SPECIFICATIONS, ETC..
2. DO NOT SCALE, USE FIGURED DIMENSIONS ONLY (WHERE APPLICABLE)
3. ANY DISCREPANCIES / DEVIATIONS ENCOUNTERED TO BE REPORTED TO THE ENGINEER IMMEDIATELY (IN WRITING).
4. FOR ALL SETTING OUT DIMENSIONS REFER TO ARCHITECTS DRAWINGS.

1. ALL DIMENSIONS ARE IN MILLIMETRES (mm) UNLESS NOTED OTHERWISE.
2. RODDING EYE CHAMBER SHALL BE COVERED WITH APPROVED HEAVY DUTY METAL COVERS TO IS 261 AND BS 5834. COVER AND FRAME SHALL BE SUITABLE FOR ROAD AND TRAFFIC CONDITIONS AND IS SUBJECT TO THE APPROVAL OF IRISH WATER.
3. ALL CHAMBERS TO BE CHECKED FOR UPLIFT BY THE DEVELOPER BASED ON GROUND CONDITIONS WITHIN THE SITE. SHOULD ANTI FLOATATION MEASURES BE REQUIRED THEY SHALL BE SUBJECT TO APPROVAL FROM IRISH WATER.
4. ALL CONCRETE TO BE IN ACCORDANCE WITH IS EN 206.
5. MANHOLE DETAILS TO BE IN ACCORDANCE WITH STD-WW-09, 10 AND 11

1. ALL DIMENSIONS ARE IN MILLIMETRES (mm) UNLESS NOTED OTHERWISE.
2. AN INSPECTION CHAMBER SHOULD BE LOCATED AT OR WITHIN 1m OF THE PROPERTY BOUNDARY AT THE UPSTREAM END OF EACH SERVICE CONNECTION ON THE PRIVATE SIDE OF THE CURTILAGE, IF PRACTICABLE.
3. ANY PIPE AND ASSOCIATED ACCESS UPSTREAM OF THE POINT OF CONNECTION TO A PUBLIC SEWER IS A PRIVATE DRAIN AND SHOULD BE CONSTRUCTED IN ACCORDANCE WITH THE BUILDING REGULATIONS.
4. ACCESS POINTS SHOULD BE LOCATED SO THAT THEY ARE ACCESSIBLE AND APPARENT TO THE MAINTAINER AT ALL TIMES FOR USE. THEY SHOULD AVOID REAR GARDENS OR ENCLOSED LOCATIONS AND THEY SHOULD NEVER BE OVERLAIN WITH SURFACE DRESSING, TOPSOIL, ETC.
5. COVERS AND FRAMES SHALL BE SUITABLE FOR ROAD AND TRAFFIC CONDITIONS SUBJECT TO APPROVAL FROM IRISH WATER.
6. 200mm ALL AROUND, 100mm DEEP CONCRETE PLINTH WITH PROTECTIVE STAINLESS STEEL METAL BAND AROUND COVERS IN GREEN AREAS.
7. PROPRIETARY PREFABRICATED CHAMBER UNITS MAY ALSO BE USED, SUBJECT TO APPROVAL FROM IRISH WATER.
8. CONCRETE CHAMBERS SHALL BE SURROUNDED BY A MINIMUM OF 150mm COMPACTED CLAUSE 804 MATERIAL AS PER STD-WW-07.

\*\*\* DO NOT SCALE USE FIGURED DIMENSIONS ONLY \*\*\*

P1	PF	PLANNING	02-05-2022
REV:	BY:	AMENDMENTS:	DATE:

DRAWN BY:	PM	TECH. CHECK:	PM
SCALE:	AS SHOWN	SIZE:	A1
DATE:	08/01/2021	APPROVED:	AF

DRAWING STATUS:  
**FOR PLANNING**

CLIENT: GEENHILLS LIVING  
C/O BELVEDERE LIVING LTD

JOB TITLE: BANCROFT VIEW SHD

DRAWING TITLE: DRAINAGE DETAILS  
SHEET 4 OF 4



Fitzsimons Doyle & Associates  
 250 Harold's Cross Road, Dublin 6w  
 Tel: +353 (0) 4966011 Fax: +353 (0) 4967018  
 Web: www.fdaconsulting.ie Email: admin@fdaconsulting.ie

JOB No:	DRAWING No:	REV:
20_4993	630	P1